

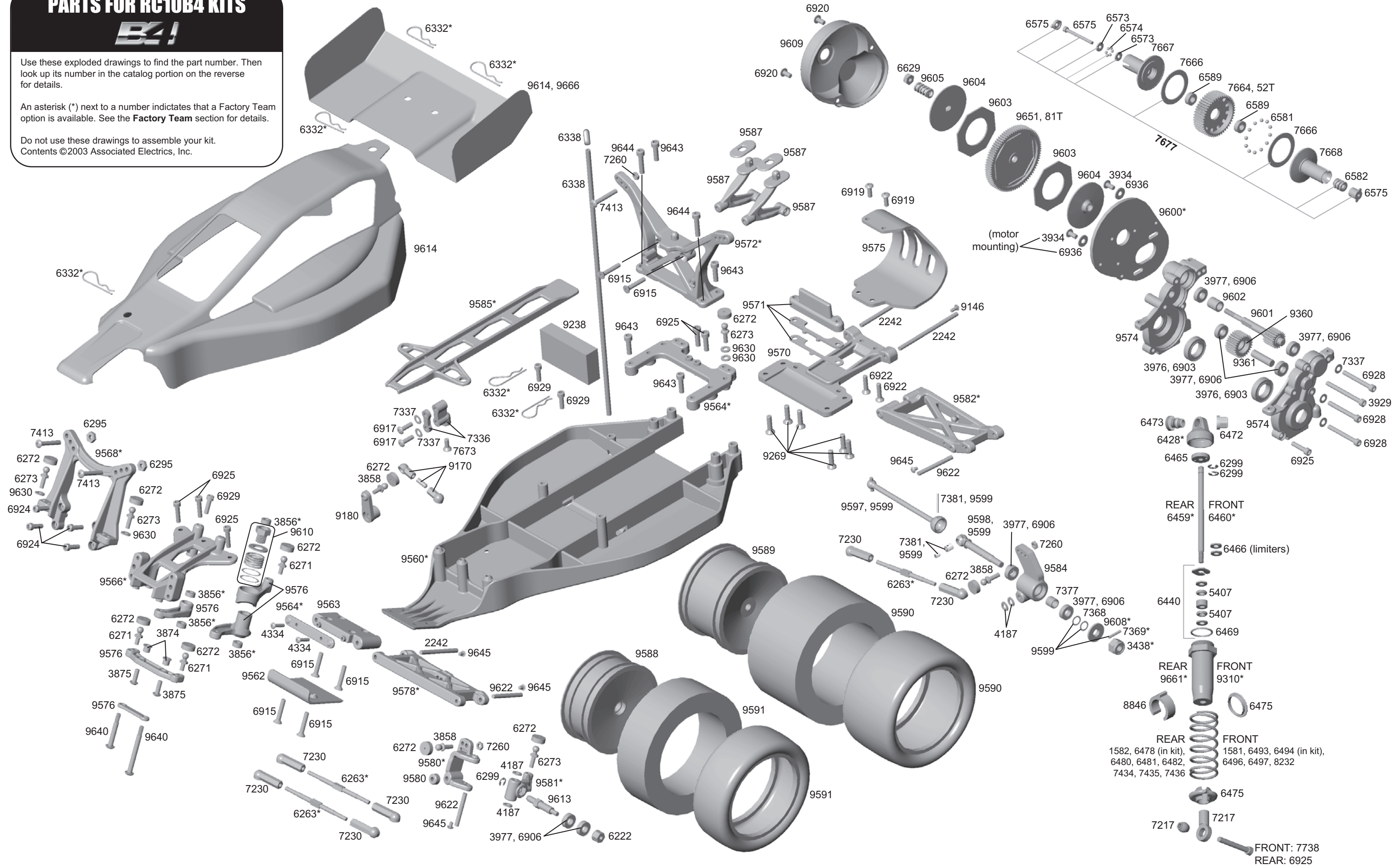
PARTS FOR RC10B4 KITS



Use these exploded drawings to find the part number. Then look up its number in the catalog portion on the reverse for details.

An asterisk (*) next to a number indicates that a Factory Team option is available. See the **Factory Team** section for details.

Do not use these drawings to assemble your kit.
Contents ©2003 Associated Electrics, Inc.



- REAR 6459*
- FRONT 6460*
- 6465
- 6299
- 6299
- 6466 (limiters)
- 6440
- 5407
- 5407
- 6469
- REAR 9661*
- FRONT 9310*
- 8846
- 6475
- REAR 1582, 6478 (in kit), 6480, 6481, 6482, 7434, 7435, 7436
- FRONT 1581, 6493, 6494 (in kit), 6496, 6497, 8232
- 6475
- 7217
- 7217
- FRONT: 7738
- REAR: 6925